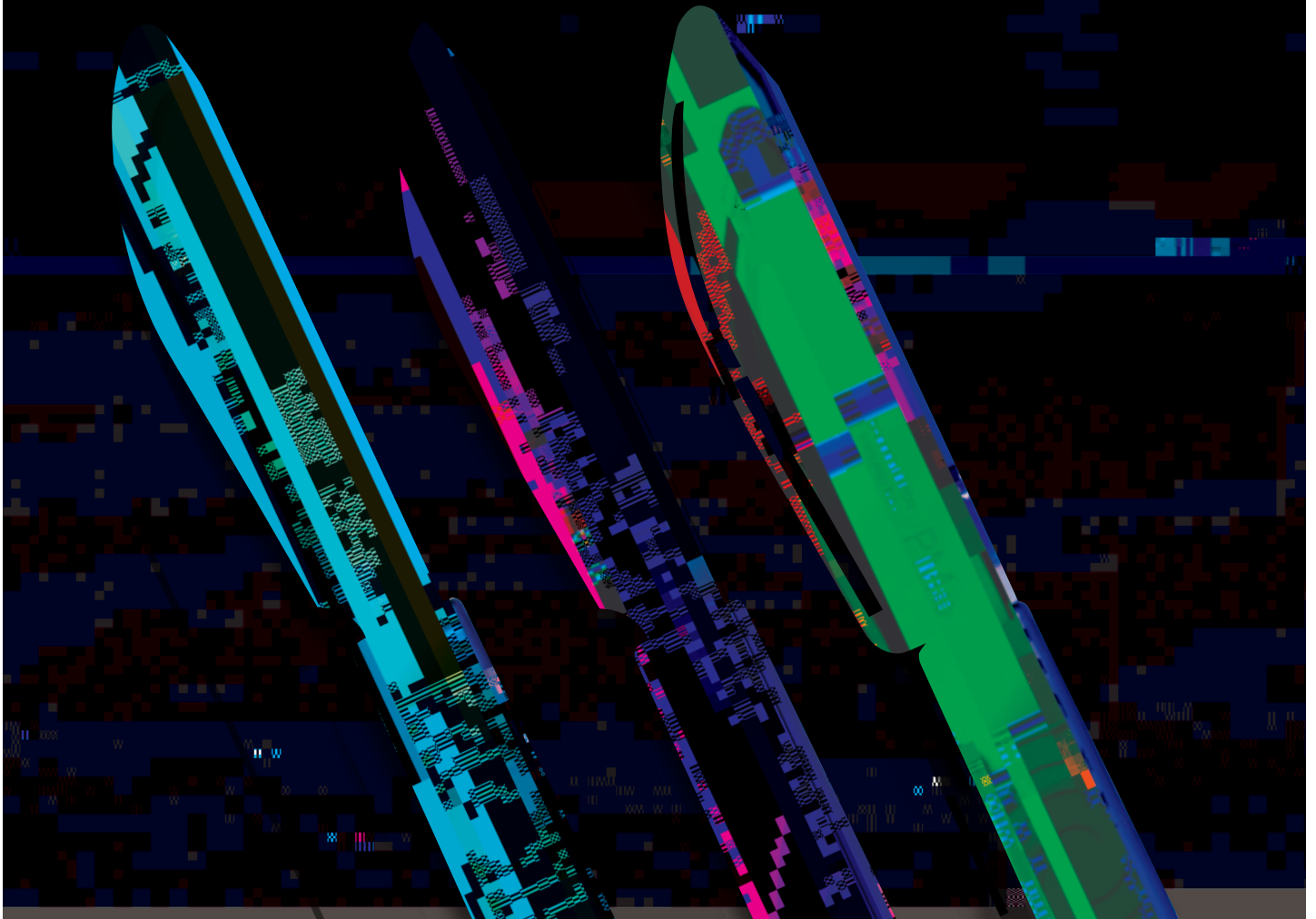
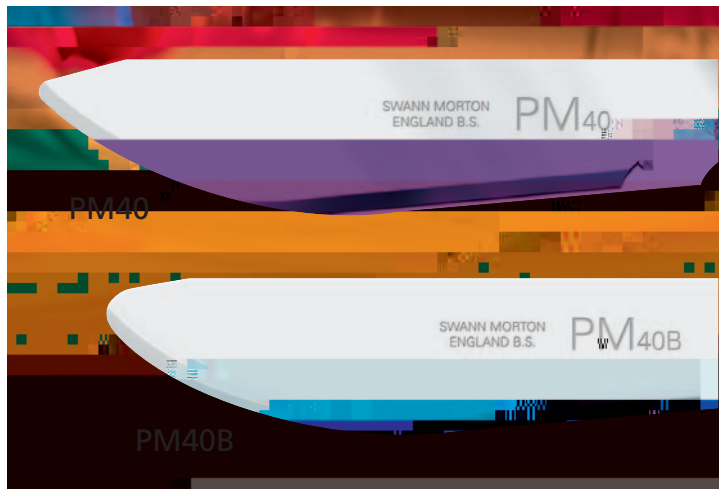


Guarding against Infections



With an easy to remove guard to protect the cutting edge up to the point of procedure the end user has the added convenience of not having to fix the blade to the handle and can safely dispose of the scalpel into an appropriate sharps container when the procedure is complete.

Targeted at "dirty" and "infectious" cases the Disposable Post Mortem Scalpel is available with either the standard PM40 or PM40 Bull Nose blade fixed in a distinctive blue handle.

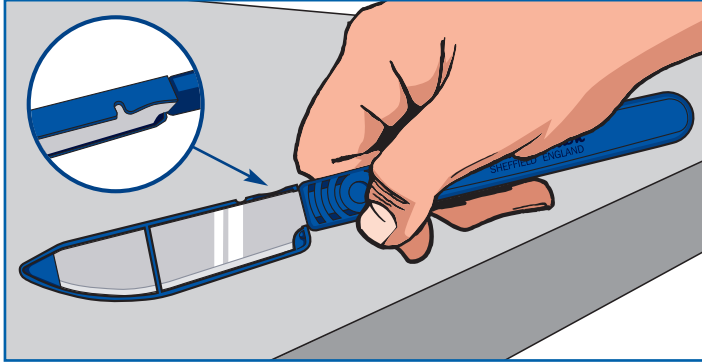


Swann-Morton[®]
SHEFFIELD ENGLAND

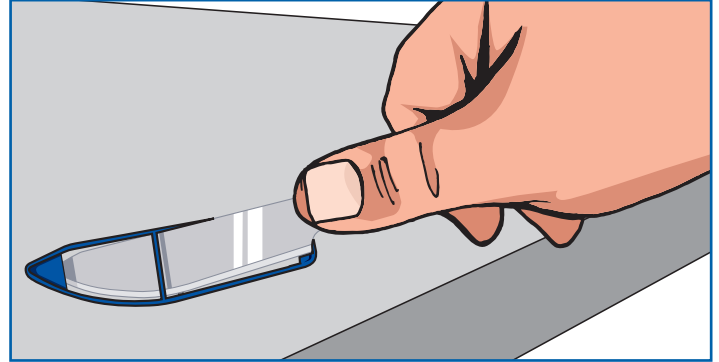


Scan this code for more product information

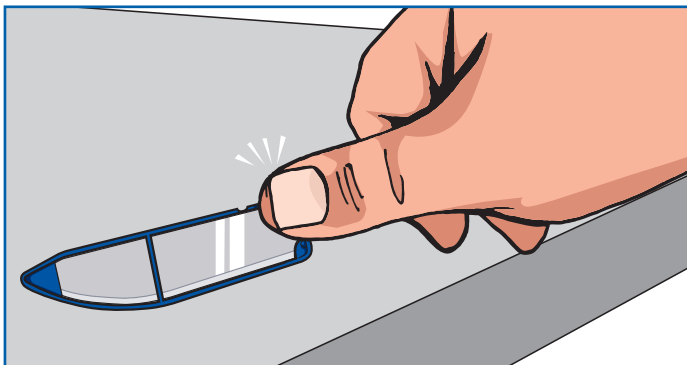
Swann-Morton®



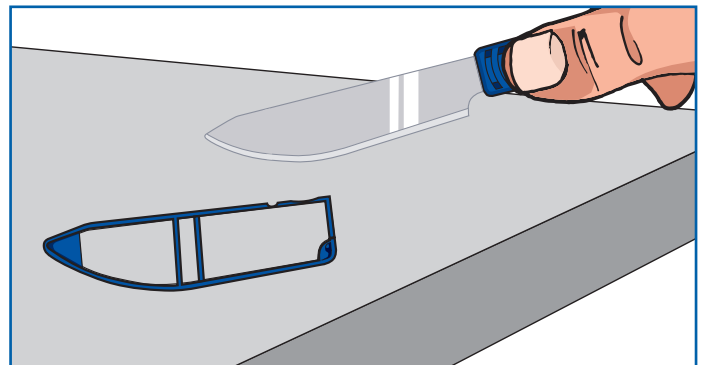
1 Preferably place the Disposable Scalpel over a stable flat surface and identify the guard remover impression highlighted in the illustration.



3 The guard and Disposable Scalpel will now be separated from each other.



2 With your thumb located in the guard remover press downwards with your thumb and the guard will release with an audible click.



4 The blade is now fully exposed and the Scalpel is ready for use.

40	2580	Box of 5
40B	2581	Box of 5
40	2582	Box 100
40B	2583	Box 100

For further related product information please visit www.swann-morton.com



-Morton and the 'ring pattern' logo are registered trademarks of -Morton Limited and related companies. The products shown are manufactured for use by trained health care professionals and can cause injury if used or handled incorrectly. The information and illustrations used in connection with the products shown on this leaflet are for general guidance only and users must seek proper training and instruction in their use before using or handling such products. -Morton Limited exclude all liability for injury to the extent permitted by law.